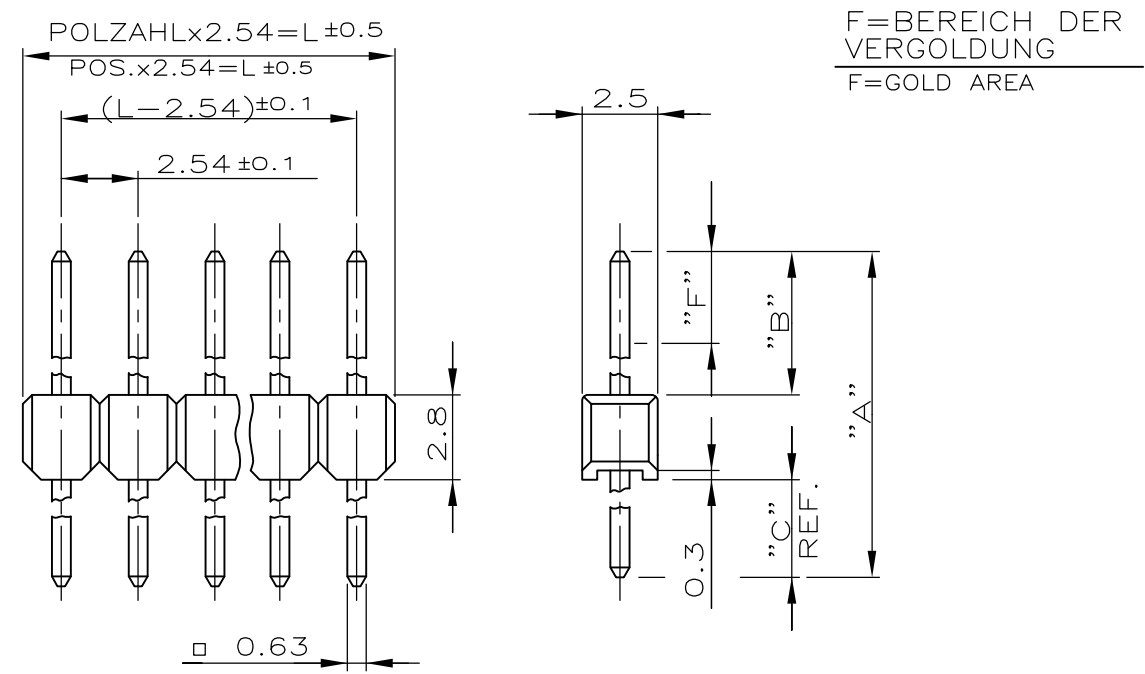


THIS DRAWING IS UNPUBLISHED. RELEASED FOR PUBLICATION
 © COPYRIGHT - By - ALL RIGHTS RESERVED.

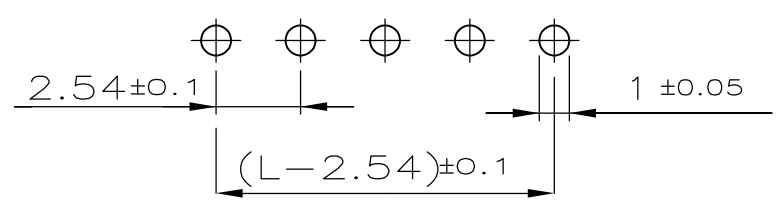
NUMMER 826629
 VERWENDET FÜR
 WAR NR. -

| LOC | DIST | REVISIONS | | | | | |
|-----|------|-----------|-----|--|-----------|-----|------|
| | | P | LTR | DESCRIPTION | DATE | DWN | APVD |
| - | - | | AA | Contact base material & plating change | 12JUN2014 | KJK | JK |



| MAßE DIMENSION | SEL. VERGOLDET SEL. GOLD PLATED | | | | VERZINNT TIN PLATED | | | | SEL. VERGOLDET SEL. GOLD PLATED | | | |
|-------------------|------------------------------------|-----|-----|---|------------------------|------------------------|------------------------|------------------------|------------------------------------|------------------------|------------------------|------------------------|
| | A | B | C | F | WEIGHT POS. PER ROW | WEIGHT POS. PER ROW | WEIGHT POS. PER ROW | WEIGHT POS. PER ROW | WEIGHT POS. PER ROW | WEIGHT POS. PER ROW | WEIGHT POS. PER ROW | WEIGHT POS. PER ROW |
| 12.7 | 6.7 | 3.2 | 4.4 | - | 826 629 | 0.0654 g | 826 926 | 0.0656 g | | | | |
| 12.0 | 6.7 | 2.5 | 4.4 | - | 826 630 | 0.0629 g | 826 935 | 0.0632 g | | | | |
| 11.8 | 5.8 | 3.2 | 4.4 | - | 826 646 | 0.0622 g | 826 936 | 0.0625 g | 829 070 | 0.0621 g | | |
| 11.1 | 5.8 | 2.5 | 4.4 | - | 826 647 | 0.0597 g | 826 937 | 0.0600 g | | | | |
| 14.0 | 8.0 | 3.2 | 4.4 | - | 826 648 | 0.0699 g | 826 938 | 0.0703 g | | | | |
| 13.3 | 8.0 | 2.5 | 4.4 | - | 826 649 | 0.0674 g | 826 939 | 0.0678 g | | | | |
| 12.7 | 6.7 | 3.2 | 5.5 | - | - | - | - | - | 828 356 | 0.0653 g | | |

BOHRBILD
 LAYOUT FOR HOLES ON PCB.



DIE POLZAHL JE REIHE IST DER BASIS-NR. ALS STRICHZAHL HINZUZUFÜGEN.
 z.Bsp.: 2-826 629-0 = 20 POLIG
 DIE POLZAHL JE REIHE IST AUCH DER FAKTOR ZUR GEWICHTSERMITTLUNG
 z.Bsp.: 20 x 0.0654 g = 1.308 g
 THE NUMBER OF POSITION PER ROW HAS TO BE ADDED TO THE BASE NO. AS A DASH. NO.
 e.g.: 2-826 629-0 = 20 POSITIONS
 THE NUMBER OF POSITIONS PER ROW IS ALSO THE FACTOR FOR THE WEIGHT DETERMINATION
 e.g.: 20 x 0.0654 g = 1.308 g

- 1 STECKSEITE: BEREICH "F" MIN 0.7µm PdNi + MIN 0.1µm GOLD ÜBER 1.27µm NICKEL IM BEREICH "B"
 MATING SIDE: AREA "F" MIN 0.7µm PdNi + MIN 0.1µm GOLD OVER 1.27µm NICKEL BY AREA "B"
- 2 LÖTSEITE: MIN. 3µm ZINN ÜBER 1.27µm NICKEL
 SOLDER SIDE: MIN. 3µm TIN OVER 1.27µm NICKEL
- 3 STECK- UND LÖTSEITE: 2µm ZINN ÜBER 1.27µm NICKEL
 MATING- AND SOLDER SIDE: 2µm TIN OVER 1.27µm NICKEL
- 4 STECKSEITE: BEREICH "F" 0.13µm GOLD ÜBER 1.27µm NICKEL IM BEREICH "B"
 MATING SIDE: AREA "F" 0.13µm GOLD OVER 1.27µm NICKEL BY AREA "B"
- 5 LÖTSEITE: MIN. 3µm ZINN ÜBER 1.27µm NICKEL
 SOLDER SIDE: MIN. 3µm TIN OVER 1.27µm NICKEL
- 6 GEHÄUSEFARBE: GRAU
 COLOR OF HOUSING: GREY
- 7 GEHÄUSEFARBE: GRÜN
 COLOR OF HOUSING: GREEN
- 8 TOLERANZEN NICHT KUMULATIV
 TOLERANCES NOT CUMULATIVE

8 OBSOLETE

| | | |
|--------------------------|-----------|--------------------------------|
| CONTACT PIN | CuZn 9 | SEE TABLE |
| KONTAKTSTIFT | CuSn6 | SIEHE TABELLE |
| CONTACT PIN | PBT GV | SEE TABLE |
| STIFTGEHÄUSE | | SIEHE TABELLE |
| PIN HOUSING | | SEE TABLE |
| BENENNUNG DESCRIPTION | WERKSTOFF | OBERFL./PLATING FARBE/COLOR |

THIS DRAWING IS A CONTROLLED DOCUMENT.

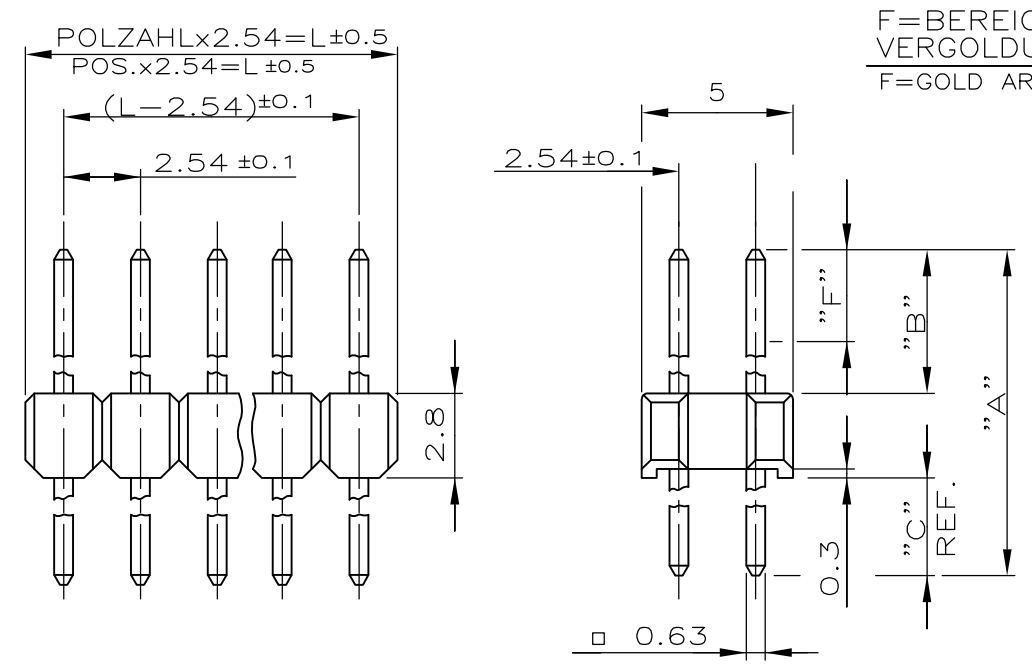
| | | | | | | |
|-----------------------|--|-------------------------------|-----------------------------------|--------------------|------------------------|--------------------|
| DIMENSIONS: mm | TOLERANCES UNLESS OTHERWISE SPECIFIED: ±0.2mm | DWN G.HOLAUS 10.11.89 | TE Connectivity | | | |
| 0 PLC ± - 6 | 1 PLC ± - | CHK SCHAARSCHMIDT M. | | | | |
| 2 PLC ± - | 3 PLC ± - | APVD - | NAME | | | |
| 4 PLC ± - | ANGLES ± - | PRODUCT SPEC 108-18012 | AMPMODU II STIFTLISTEN, EINREIHIG | | | |
| MATERIAL SEE TABLE | FINISH - | APPLICATION SPEC 114-25011 | SIZE A3 | CAGE CODE 00779 | DRAWING NO C-826629 | RESTRICTED TO - |
| CUSTOMER DRAWING | | | SCALE 4:1 | SHEET 1 OF 4 | REV AA | |

THIS DRAWING IS UNPUBLISHED. RELEASED FOR PUBLICATION
 © COPYRIGHT - By - ALL RIGHTS RESERVED.

| LOC | DIST | REVISIONS | | | |
|-----|------|-------------|------|-----|------|
| P | LTR | DESCRIPTION | DATE | DWN | APVD |
| - | - | SEE SHEET 1 | - | - | - |

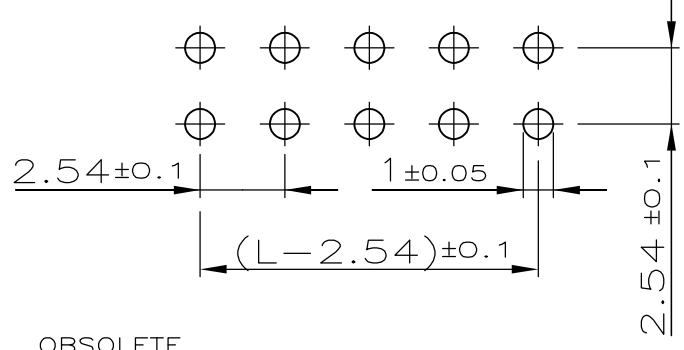
| | | | |
|-----------------------|-----------|-----------------------------|----------------|
| CONTACT PIN | CuZn | SEE TABLE | NUMMER 826 629 |
| KONTAKTSTIFT | CuSn6 | SIEHE TABELLE | VERWENDET FÜR |
| CONTACT PIN | PBT GV | SEE TABLE | WAR NR. - |
| STIFTGEHÄUSE | | SIEHE TABELLE | |
| PIN HOUSING | | SEE TABLE | |
| BENENNUNG DESCRIPTION | WERKSTOFF | OBERFL./PLATING FARBE/COLOR | |

| MAßE DIMENSION | SEL. VERGOLDET SEL. GOLDPLATED | | VERZINNT TIN PLATED | | 23.09.96 SEL. GOLDPLATED | |
|--------------------|--------------------------------|----------|---------------------|----------|--------------------------|----------|
| | | | | | | |
| A B C F - | | | | | | |
| 12.7 6.7 3.2 5.5 - | 826 632 | 0.1276 g | 826 925 | 0.1279 g | 828 420 | 0.1272 g |
| 12.0 6.7 2.5 4.4 - | 826 633 | 0.1226 g | 826 941 | 0.1229 g | | |
| 11.8 5.8 3.2 4.4 - | 826 656 | 0.1212 g | 826 942 | 0.1217 g | 828 533 | 0.1209 g |
| 11.1 5.8 2.5 4.4 - | 826 657 | 0.1162 g | 826 943 | 0.1165 g | | |
| 14.0 8.0 3.2 4.4 - | 826 658 | 0.1366 g | 826 944 | 0.1370 g | | |
| 13.3 8.0 2.5 4.4 - | 826 659 | 0.1316 g | 826 945 | 0.1323 g | | |



- STECKSEITE: BEREICH "F" MIN 0.7µm PdNi + MIN 0.1µm GOLD ÜBER 1.27µm NICKEL IM BEREICH "B"
 MATING SIDE: AREA "F" MIN 0.7µm PdNi + MIN 0.1µm GOLD OVER 1.27µm NICKEL BY AREA "B"
- LÖTSEITE: MIN. 3µm ZINN ÜBER 1.27µm NICKEL
 SOLDER SIDE: MIN. 3µm TIN OVER 1.27µm NICKEL
- STECK- UND LÖTSEITE: 2µm ZINN ÜBER 1.27µm NICKEL
 MATING- AND SOLDER SIDE: 2µm TIN OVER 1.27µm NICKEL
- STECKSEITE: BEREICH "F" 0.13µm GOLD ÜBER 1.27µm NICKEL IM BEREICH "B"
 MATING SIDE: AREA "F" 0.13µm GOLD OVER 1.27µm NICKEL BY AREA "B"
- LÖTSEITE: MIN. 3µm ZINN ÜBER 1.27µm NICKEL
 SOLDER SIDE: MIN. 3µm TIN OVER 1.27µm NICKEL
- GEHÄUSEFARBE: GRAU
 COLOR OF HOUSING: GREY
- GEHÄUSEFARBE: GRÜN
 COLOR OF HOUSING: GREEN
- TOLERANZEN NICHT KUMULATIV
 TOLERANCES NOT CUMULATIVE

BOHRBILD
LAYOUT FOR HOLES ON PCB.



OBSOLETE

DIE POLZAHL JE REIHE IST DER BASIS-NR. ALS STRICHZAHL HINZUZUFÜGEN.
 z.Bsp.: 2-826 632-0 = 2x20 POLIG
 DIE POLZAHL JE REIHE IST AUCH DER FAKTOR ZUR GEWICHTSERMITTLUNG
 z.Bsp.: 20 x 0.1276 g = 2.552 g

THE NUMBER OF POSITION PER ROW HAS TO BE ADDED TO THE BASE NO. AS A DASH. NO.
 e.g.: 2-826 632-0 = 2x20 POSITIONS
 THE NUMBER OF POSITIONS PER ROW IS ALSO THE FACTOR FOR THE WEIGHT DETERMINATION
 e.g.: 20 x 0.1276 g = 2.552 g

| | | | | |
|---|--|------------------------|---|--|
| THIS DRAWING IS A CONTROLLED DOCUMENT. | | DWN G.HOLAUS 10.11.89 | TE Connectivity | |
| DIMENSIONS: mm | | CHK M.SCHAARSCHMIDT | | |
| TOLERANCES UNLESS OTHERWISE SPECIFIED: ±0.2mm | | APVD - | NAME AMPMODU II STIFTLISTEN,ZWEIREIHIG | |
| 0 PLC ± - 1 PLC ± - 2 PLC ± - 3 PLC ± - 4 PLC ± - ANGLES ± - | | PRODUCT SPEC 108-18012 | SIZE CAGE CODE DRAWING NO RESTRICTED TO | |
| MATERIAL SEE TABLE | | FINISH - | 114-25011 A3 00779 C-826629 | |
| | | WEIGHT - | SCALE 4:1 SHEET 2 OF 4 REV AA | |
| | | CUSTOMER DRAWING | | |

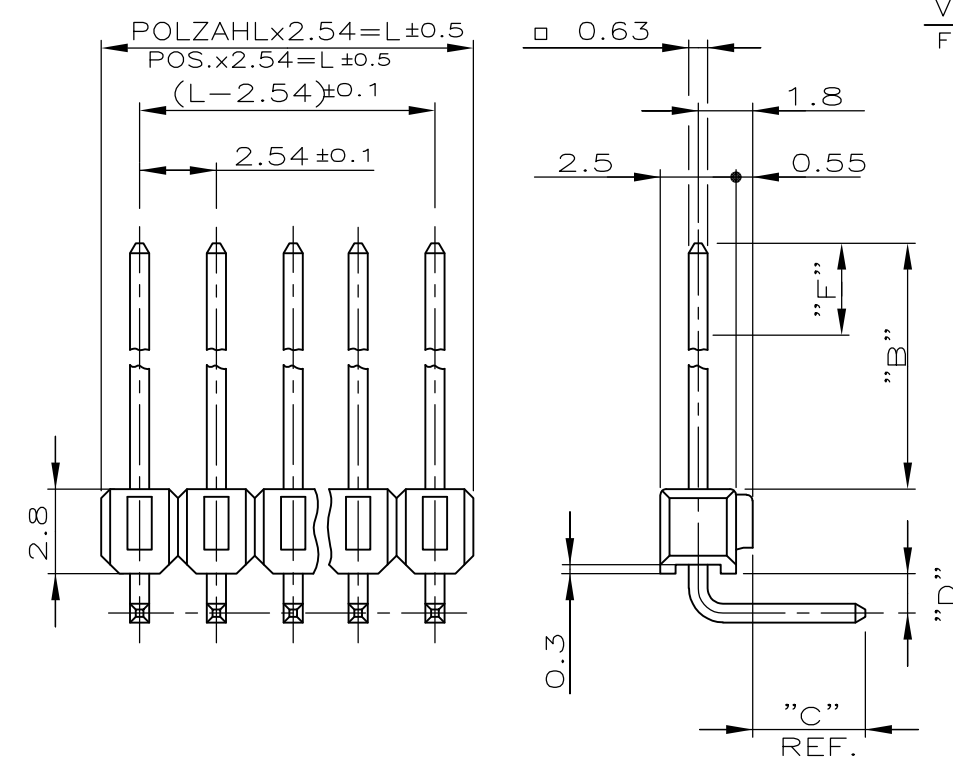
THIS DRAWING IS UNPUBLISHED. RELEASED FOR PUBLICATION
 © COPYRIGHT - By - ALL RIGHTS RESERVED.

| LOC | DIST | REVISIONS | | | |
|-----|------|-------------|------|-----|------|
| P | LTR | DESCRIPTION | DATE | DWN | APVD |
| - | - | SEE SHEET 1 | - | - | - |

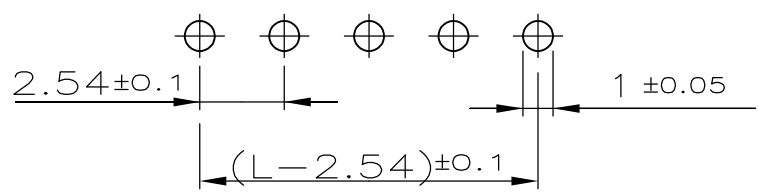
| | | | |
|-----------------------|-----------|-----------------------------|----------------|
| CONTACT PIN | CuZn | SEE TABLE | NUMMER 826 629 |
| KONTAKTSTIFT | CuSn6 | SIEHE TABELLE | VERWENDET FÜR |
| CONTACT PIN | PBT GV | SEE TABLE | WAR NR. - |
| STIFTGEHÄUSE | | SIEHE TABELLE | |
| PIN HOUSING | | SEE TABLE | |
| BENENNUNG DESCRIPTION | WERKSTOFF | OBERFL./PLATING FARBE/COLOR | |

F=BEREICH DER VERGOLDUNG
 F=GOLD AREA

| MAßE DIMENSION | | | | | SEL. VERGOLDET SEL. GOLD PLATED | | VERZINNT TIN PLATED | | SEL. VERGOLDET SEL. GOLD PLATED | |
|----------------|-----|-----|-----|---|---------------------------------|---------------------|---------------------|---------------------|---------------------------------|---------------------|
| B | C | D | F | - | | WEIGHT POS. PER ROW | | WEIGHT POS. PER ROW | | WEIGHT POS. PER ROW |
| 6.7 | 3.2 | 1.3 | 4.4 | - | | 0.0757 g | | 0.0760 g | | |
| 6.7 | 2.5 | 1.3 | 4.4 | - | | 0.0731 g | | 0.0735 g | | |
| 5.8 | 3.2 | 1.3 | 4.4 | - | | 0.0726 g | | 0.0728 g | 829 071 | 0.0726 g |
| 5.8 | 2.5 | 1.3 | 4.4 | - | | 0.0701 g | | 0.0704 g | | |
| 8.0 | 3.2 | 1.3 | 4.4 | - | | 0.0803 g | | 0.0807 g | | |
| 8.0 | 2.5 | 1.3 | 4.4 | - | | 0.0777 g | | 0.0782 g | | |
| 6.7 | 3.2 | 1.3 | 5.5 | - | | - | | - | 828 419 | 0.0758 g |



BOHRBILD
 LAYOUT FOR HOLES ON PCB.



- STECKSEITE: BEREICH "F" MIN 0.7µm PdNi + MIN 0.1µm GOLD ÜBER 1.27µm NICKEL IM BEREICH "B"
 MATING SIDE: AREA "F" MIN 0.7µm PdNi + MIN 0.1µm GOLD OVER 1.27µm NICKEL BY AREA "B"
- LÖTSEITE: MIN. 3µm ZINN ÜBER 1.27µm NICKEL
 SOLDER SIDE: MIN. 3µm TIN OVER 1.27µm NICKEL
- STECK- UND LÖTSEITE: 2µm ZINN ÜBER 1.27µm NICKEL
 MATING- AND SOLDER SIDE: 2µm TIN OVER 1.27µm NICKEL
- STECKSEITE: BEREICH "F" 0.13µm GOLD ÜBER 1.27µm NICKEL IM BEREICH "B"
 MATING SIDE: AREA "F" 0.13µm GOLD OVER 1.27µm NICKEL BY AREA "B"
- LÖTSEITE: MIN. 3µm ZINN ÜBER 1.27µm NICKEL
 SOLDER SIDE: MIN. 3µm TIN OVER 1.27µm NICKEL
- GEHÄUSEFARBE: GRAU
 COLOR OF HOUSING: GREY
- GEHÄUSEFARBE: GRÜN
 COLOR OF HOUSING: GREEN
- TOLERANZEN NICHT KUMULATIV
 TOLERANCES NOT CUMULATIVE

OBSOLETE

DIE POLZAHL JE REIHE IST DER BASIS-NR. ALS STRICHZAHL HINZUZUFÜGEN.
 z.Bsp.: 2-826 631-0 = 20 POLIG
 DIE POLZAHL JE REIHE IST AUCH DER FAKTOR ZUR GEWICHTSERMITTLUNG
 z.Bsp.: 20 x 0.0757 g = 1.514 g

THE NUMBER OF POSITION PER ROW HAS TO BE ADDED TO THE BASE NO. AS A DASH. NO.
 e.g.: 2-826 631-0 = 20 POSITIONS
 THE NUMBER OF POSITIONS PER ROW IS ALSO THE FACTOR FOR THE WEIGHT DETERMINATION
 e.g.: 20 x 0.0757 g = 1.514 g

| | | | | |
|--|--|---|-----------------|---|
| THIS DRAWING IS A CONTROLLED DOCUMENT. | | DWN G.HOLAUS 10.11.89 | TE Connectivity | |
| | | CHK SCHAARSCHMIDT M. | | |
| DIMENSIONS: mm | | TOLERANCES UNLESS OTHERWISE SPECIFIED: ±0.2mm | | NAME AMPMODU II STIFTLISTEN 90 DEG. ,EINREIHIG |
| | | 0 PLC ± - | | PRODUCT SPEC 108-18012 |
| | | 1 PLC ± - | | APPLICATION SPEC 114-25011 |
| MATERIAL SEE TABLE | | FINISH - | | SIZE A3 CAGE CODE 00779 DRAWING NO C-826629 RESTRICTED TO - |
| | | CUSTOMER DRAWING | | SCALE 4:1 SHEET 3 OF 4 REV AA |

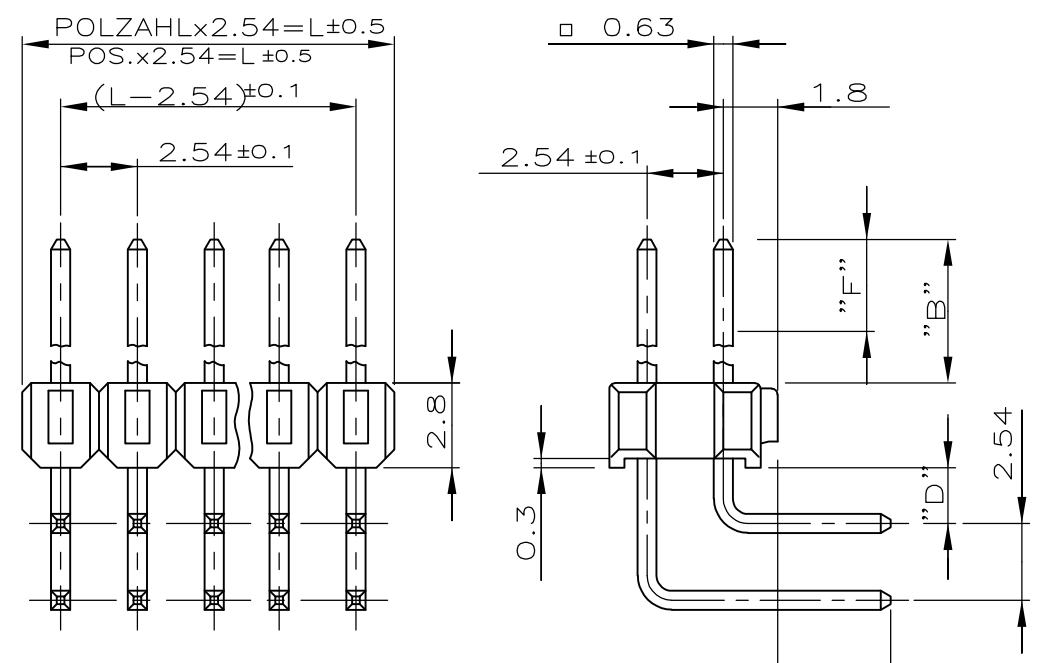
THIS DRAWING IS UNPUBLISHED. RELEASED FOR PUBLICATION
 © COPYRIGHT - By - ALL RIGHTS RESERVED.

| LOC | DIST | REVISIONS | | | |
|-----|------|-------------|------|-----|------|
| P | LTR | DESCRIPTION | DATE | DWN | APVD |
| - | - | SEE SHEET 1 | - | - | - |

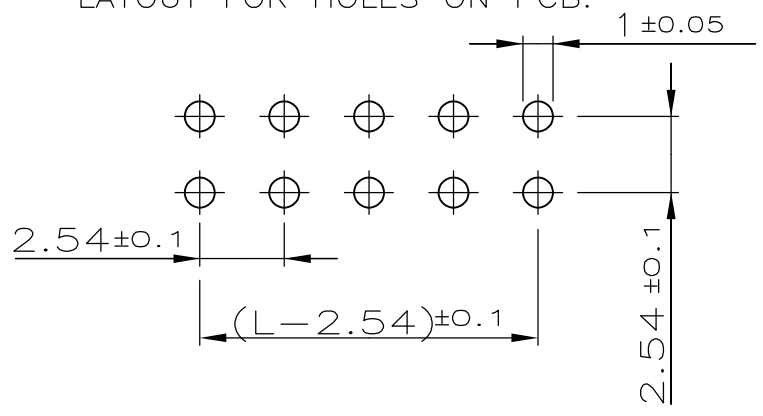
| | | | |
|-----------------------|-----------|-----------------------------|----------------|
| CONTACT PIN | CuZn | SEE TABLE | NUMMER 826 629 |
| KONTAKTSTIFT | CuSn6 | SIEHE TABELLE | VERWENDET FÜR |
| CONTACT PIN | PBT GV | SEE TABLE | WAR NR. - |
| STIFTGEHÄUSE | | SIEHE TABELLE | |
| PIN HOUSING | | SEE TABLE | |
| BENENNUNG DESCRIPTION | WERKSTOFF | OBERFL./PLATING FARBE/COLOR | |

F=BEREICH DER VERGOLDUNG
 F=GOLD AREA

| MAßE DIMENSION | | | | | SEL. VERGOLDET SEL. GOLD PLATED | | VERZINNT TIN PLATED | | SEL. VERGOLDET SEL. GOLD PLATED | |
|----------------|-----|-----|-----|---|---------------------------------|---------------------|---------------------|---------------------|---------------------------------|---------------------|
| B | C | D | F | - | | WEIGHT POS. PER ROW | | WEIGHT POS. PER ROW | | WEIGHT POS. PER ROW |
| 6.7 | 3.2 | 1.3 | 5.5 | - | | 826 634 0.1646 g | 826 953 0.1656 g | 826 954 0.1606 g | | 828 418 0.1651 g |
| 6.7 | 2.5 | 1.3 | 4.4 | - | | 826 661 0.1597 g | 826 954 0.1606 g | 826 955 0.1603 g | | 829 072 0.1587 g |
| 5.8 | 3.2 | 1.3 | 4.4 | - | | 826 662 0.1587 g | 826 955 0.1603 g | 826 956 0.1542 g | | |
| 5.8 | 2.5 | 1.3 | 4.4 | - | | 826 663 0.1538 g | 826 956 0.1542 g | 826 957 0.1749 g | | |
| 8.0 | 3.2 | 1.3 | 4.4 | - | | 826 664 0.1741 g | 826 957 0.1749 g | 826 958 0.1699 g | | |
| 8.0 | 2.5 | 1.3 | 4.4 | - | | 826 665 0.1687 g | 826 958 0.1699 g | | | |



BOHRBILD LAYOUT FOR HOLES ON PCB.



- STECKSEITE: BEREICH "F" MIN 0.7µm PdNi + MIN 0.1µm GOLD ÜBER 1.27µm NICKEL IM BEREICH "B"
 MATING SIDE: AREA "F" MIN 0.7µm PdNi + MIN 0.1µm GOLD OVER 1.27µm NICKEL BY AREA "B"
- LÖTSEITE: MIN. 3µm ZINN ÜBER 1.27µm NICKEL
 SOLDER SIDE: MIN. 3µm TIN OVER 1.27µm NICKEL
- STECK- UND LÖTSEITE: 2µm ZINN ÜBER 1.27µm NICKEL
 MATING- AND SOLDER SIDE: 2µm TIN OVER 1.27µm NICKEL
- STECKSEITE: BEREICH "F" 0.13µm GOLD ÜBER 1.27µm NICKEL IM BEREICH "B"
 MATING SIDE: AREA "F" 0.13µm GOLD OVER 1.27µm NICKEL BY AREA "B"
- LÖTSEITE: MIN. 3µm ZINN ÜBER 1.27µm NICKEL
 SOLDER SIDE: MIN. 3µm TIN OVER 1.27µm NICKEL
- GEHÄUSEFARBE: GRAU
 COLOR OF HOUSING: GREY
- GEHÄUSEFARBE: GRÜN
 COLOR OF HOUSING: GREEN
- TOLERANZEN NICHT KUMULATIV
 TOLERANCES NOT CUMULATIVE

OBSOLETE

DIE POLZAHL JE REIHE IST DER BASIS-NR. ALS STRICHZAHL HINZUZUFÜGEN.
 z.Bsp.: 2-826 634-0 = 2x20 POLIG
 DIE POLZAHL JE REIHE IST AUCH DER FAKTOR ZUR GEWICHTSERMITTLUNG
 z.Bsp.: 20 x 0.1646 g = 3.292 g

THE NUMBER OF POSITION PER ROW HAS TO BE ADDED TO THE BASE NO. AS A DASH. NO.
 e.g.: 2-826 634-0 = 2x20 POSITIONS
 THE NUMBER OF POSITIONS PER ROW IS ALSO THE FACTOR FOR THE WEIGHT DETERMINATION
 e.g.: 20 x 0.1646 g = 3.292 g

| | | | | |
|---|--|-----------------------|--|--------------|
| THIS DRAWING IS A CONTROLLED DOCUMENT. | | DWN G.HOLAUS 10.11.89 | TE Connectivity | |
| DIMENSIONS: mm | | CHK SCHAARSCHMIDT M. | | |
| TOLERANCES UNLESS OTHERWISE SPECIFIED: ±0.2mm | | APVD - | NAME AMPMODU II STIFTLISTEN 90 DEG.,ZWEIREIHIG | |
| 0 PLC ±- | | PRODUCT SPEC | SIZE | |
| 1 PLC ±- | | 108-18012 | CAGE CODE | |
| 2 PLC ±- | | APPLICATION SPEC | DRAWING NO | |
| 3 PLC ±- | | 114-25011 | RESTRICTED TO | |
| 4 PLC ANGLES ±- | | WEIGHT - | A3 00779 C-826629 | |
| MATERIAL SEE TABLE | | CUSTOMER DRAWING | | SCALE 4:1 |
| | | | | SHEET 4 OF 4 |
| | | | | REV AA |